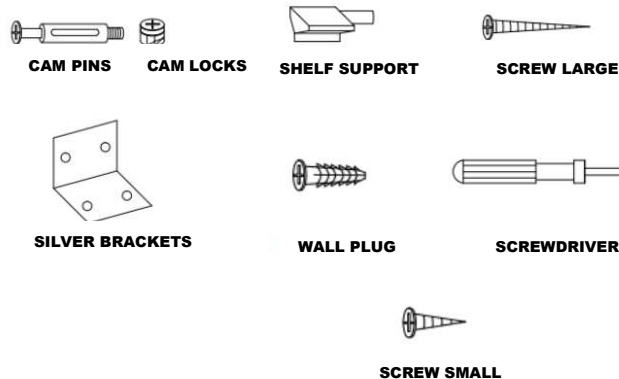


INSTALLATION INSTRUCTIONS

TO SUIT ASPIRING AND TASMAN SERIES (formerly Chester Series & Country Club Series)

wardrobes
online



These parts are located in the Tower Shelves Box



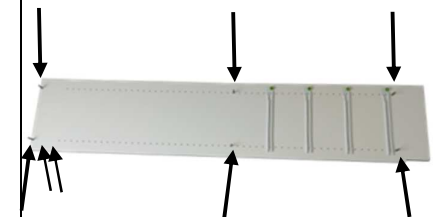
Be sure to check all boxes, as fixings can be found across ALL boxes not just this one.

WATCH
HOW TO
INSTALL
YOUR
WARDROBE
SCAN QR >

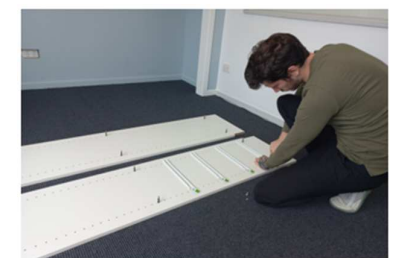
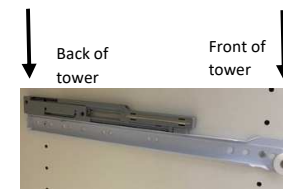


1. Lay out one of the side panels and screw **Cam Pins** at the 3 fixed shelf positions and the back-cleat support. Repeat the same on the second panel, ensuring the shelf positions match.

Refer to **Diagram A** on the last page for shelf positions.
And back-cleat support position identified (pic shown)



2. For drawer towers: install the receiving drawer runners (refer Diagram A) using the Euro Screws pictured (parts included in the drawer box). Wheels to the front of the tower, screw at both the front and back of the runner. Second hole in from the wheel at the front as shown. Repeat on the second panel, ensure drawer runner pc
Refer to **Diagram A** for drawer runner positions.



3. There are 3x fixed shelves, and 1x back-cleat. Insert the **Cam Locks** into the fixed shelves, and back-cleat, arrow facing outwards. If they are a tight fit, gently tap them in place with a hammer.



4. On one of the side panels, slot the top shelf into the first fixed shelf position. Ensure the white edge of the shelf is at the front of the tower, and that the cams are facing the ceiling at the top of the tower. Repeat with the back-cleat ensuring cams are facing the back of the tower so they won't be visible. Once the shelf and back-cleat is in place, tighten the cams with the screwdriver. Be careful not to overtighten.



Repeat with the middle and lowest fixed shelf, but ensure the cams are facing the floor.

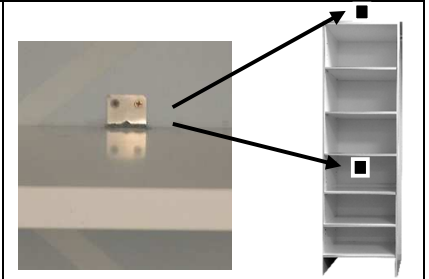
5. Once the drawer runners have been installed on both side panels, lower the second side panel into place where **Cam Pins** meet with **Cam Locks**. Screw **Cam Locks** to tighten.



6. As the tower is currently on its side, turn the tower onto its back. From this position carefully stand the tower up. **IMPORTANT: do not stand the tower up from its side. The tower will be unstable until it has been secured to the back wall of the wardrobe – refer Step 7.**



7. Once your tower is upright, carefully position the tower in place within your wardrobe. Using a level, ensure the tower is standing square and fix the tower to the back wall using the **Silver Brackets** (pictured). We recommend installing one on top of the tower, and the other bracket under the middle-fixed-shelf (this will be hidden if drawers are being used). Where possible, fix brackets into studs, or if studs are not available use the Wall Plugs provided. Use a 5mm drill bit. Use **Small Screws** to attach to tower, and **Large Screws** to attach to the wall.

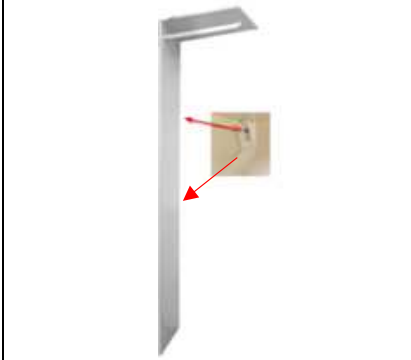


8. Insert the Adjustable Shelves at your desired heights using the **Shelf Supports**.
If your system has drawers, install your drawers by angling the drawer upwards (as shown) and lower and level the drawer as you slide it in. To engage the soft close feature, gently push the drawer fully inward. See Drawer Assembly for more information.

For drawers to operate correctly, make sure the wardrobe tower is on a level surface and square to the back wall. If the floor is not level then floor packers may be required (not included).



9. To install your Gable End Panel - **IF** you have purchased separately
Using a spirit level, ensure the panel is straight.
Secure to the back wall using the Econo Brackets into studs, on higher, one lower (if studs are not available use the wall plugs provided).
If using the Gable End Panel at an open end (not against a side wall), install the Econo Brackets into studs either side of the Gable. Extra fixings may be required to ensure Gable is fixed in place.



10. Cut and install your top shelves and hanging rails.
Refer to Top Shelf Installation and Hanging Rail Installation for information about installing these into your wardrobe.

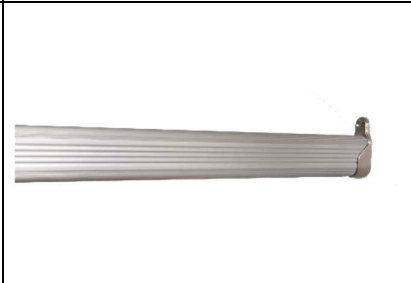
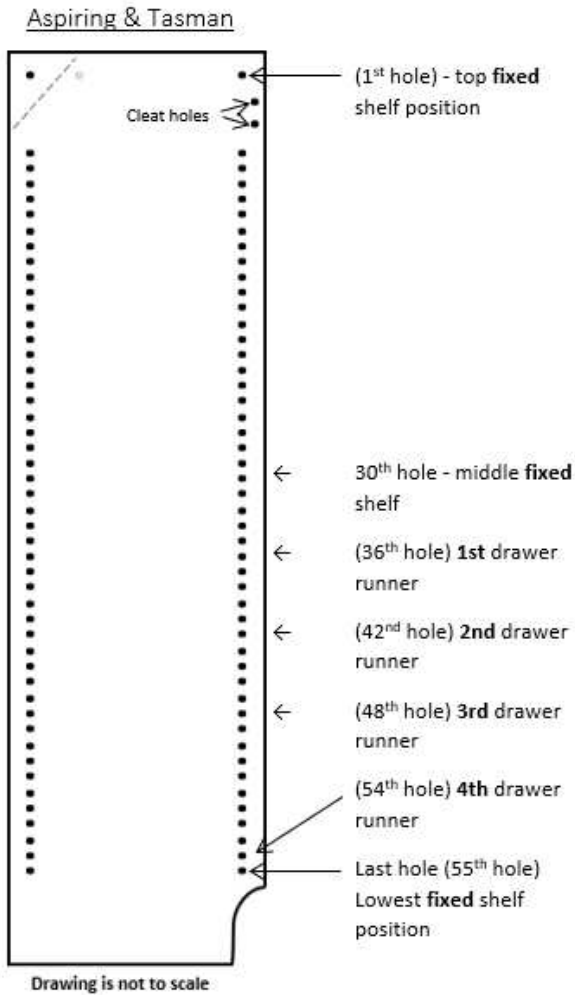
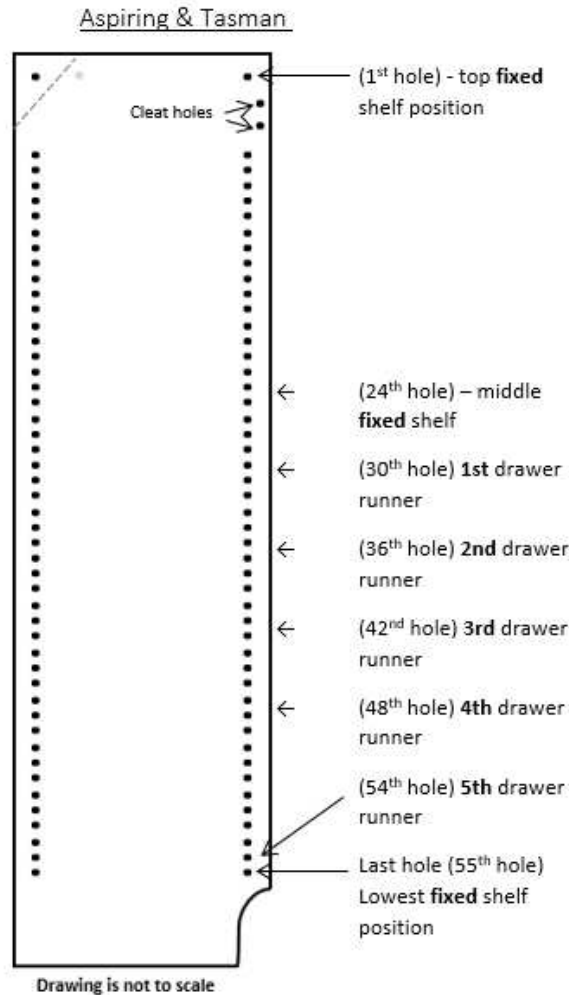


Diagram A

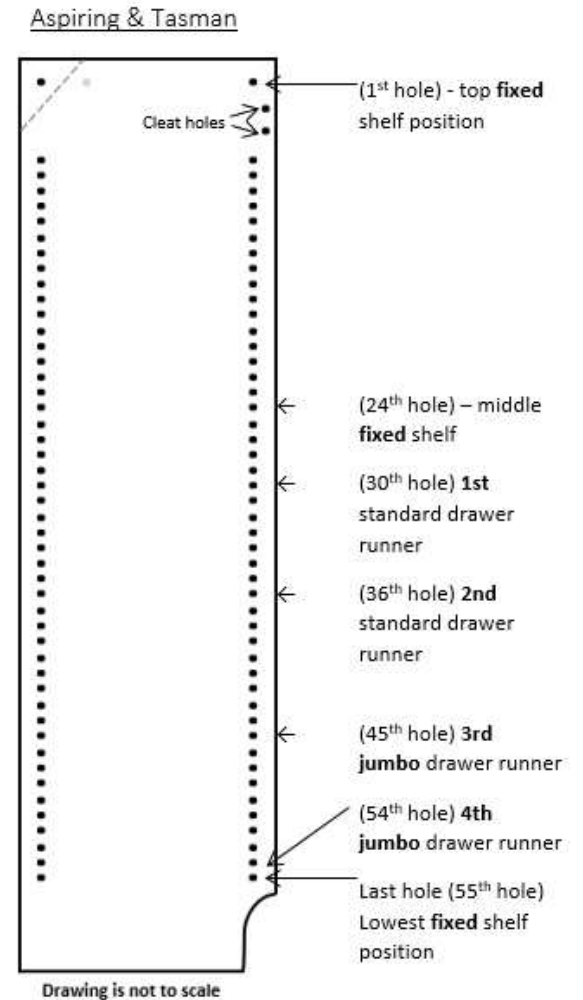
Tower with 1-4 Standard Drawers



Tower with 5 Standard Drawers



Tower with 2x Standard & 2x Jumbo Drawers



If you have a shelf tower, you can choose any height to install your adjustable shelves between the top, middle and lowest fixed shelves.

INSTALLATION INSTRUCTIONS

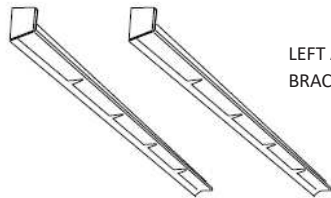
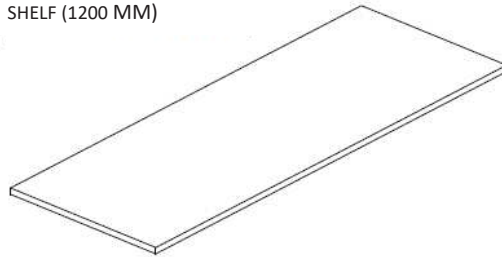
TOP SHELF



WATCH THE VID
SCAN QR >

PANEL & COMPONENT IDENTIFICATION

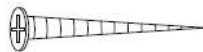
SHELF (1200 MM)



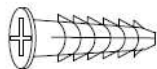
LEFT AND RIGHT SHELF BRACKETS



TOWER SCREWS

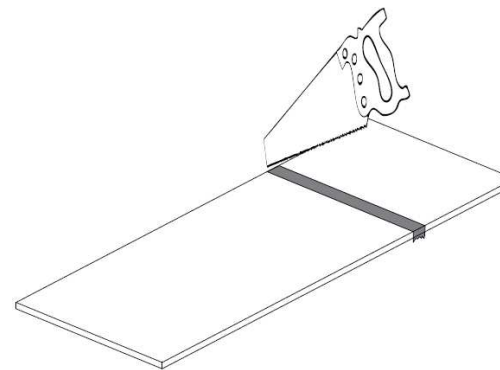
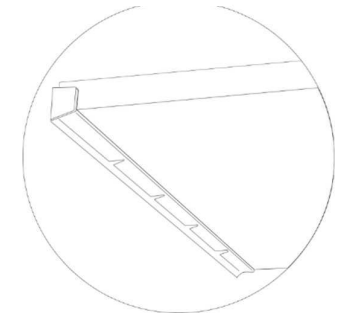
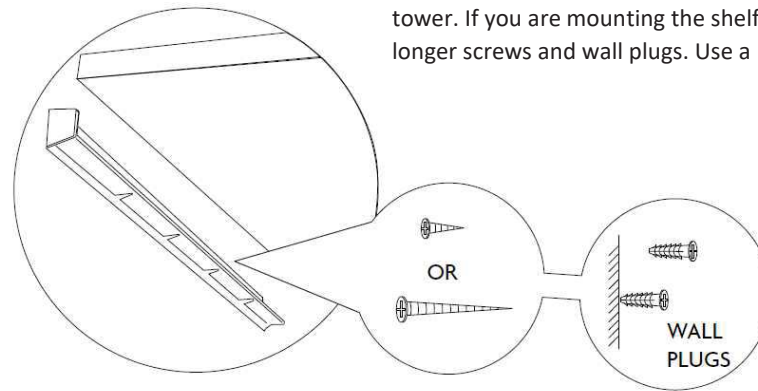


WALL SCREWS



WALL PLUGS

Mount a shelf bracket on the side of your tower using the shorter screws – install bracket 2mm down from the top edge of the tower, this will create a seamless finish with the shelf sitting flush with the tower. If you are mounting the shelf bracket to the wall then use the longer screws and wall plugs. Use a Level during this step.



Suggestion:

If you wish to adjust the width of a shelf, first measure and mark it. Place a strip of masking tape on both sides of the area you wish to cut, re-mark the required length and cut through the tape. When completed remove the tape to reveal a nice clean cut. We recommend a min 8pt saw for melamine.

1. Shelf Brackets are marked "L" and "R" for left/right and have a closed rim at the front and an open end at the back which is designed so the front rim stops the shelf falling forwards.
After your assembled tower has been secured to your wall, measure the width of space the top shelf is to be installed. As the shelf brackets are 6mm deep each, you will need to deduct **12mm** from this measurement to get your final top shelf length.
Example: If your wall-to-wall measurement is 1000mm wide, then you need to cut your top shelf 988mm wide.



2. Mark on your shelf where you need to cut. Tip: Use masking tape along the cut line. This will give the melamine board a cleaner finished edge. Cut the shelf using a saw. We recommend a minimum of an 8pt saw to cut melamine.



3. Place shelf in position with the shelf bracket, and pencil mark the position of the bracket (use a spirit level to ensure your shelf is level). Remove the shelf and re-align the shelf bracket with your pencil marks.
Use the shelf bracket as a template to mark out the holes for the screws.

**** TIP:** Shelf brackets need to be installed 2mm down from the top edge of the tower in order to create a seamless finish with the shelf sitting flush with the tower.



4. Install wall plugs where required (ie gibbed walls where studs are not available), and screw shelf bracket onto wall.

Lastly, Insert shelf into brackets.



5. **For Walk-In wardrobes using a corner**

For walk-in wardrobes where top shelves meet adjacently in a corner, you will require a **Corner Shelf Bracket**. Apply a **4mm** deduction where a corner shelf bracket is to be used. And a **6mm** deduction where a shelf bracket is to be used.

Once your top shelf is installed from the tower-to-wall (ie 'Shelf A' in example), slot the **Corner Shelf Bracket** on, push from underneath so it's flush with the underside of the top shelf and screw in place.

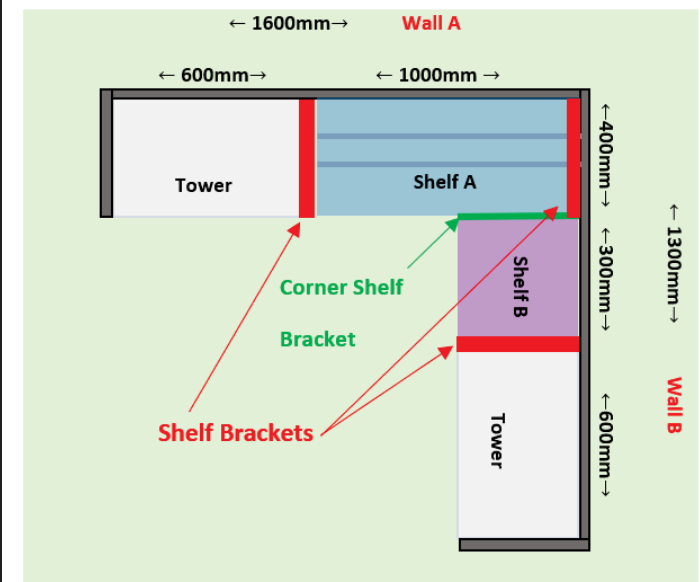
Next, measure from the **Corner Shelf Bracket** to the side of the tower on Wall B and cut shelf accordingly. Holding 'Shelf B' on an angle, slot into the Corner Shelf Bracket and lower down into the opposite Shelf Bracket.

Example: Walk-in wardrobe 1600mm x 1300mm - Layout as Pictured

Wall A: 1000mm tower-to-wall measurement, deduct 12mm for 2x shelf brackets. Cut shelf 988mm ('Shelf A').

Wall B: deduct measurement of adjacent shelf depending on which system you order will determine the depth of the shelf usually 300mm or 400mm. In this case our example is using a 400mm deep shelf. $700 - 400 = 300$ mm. Then deduct the shelf bracket (-6mm) and the Corner Shelf Bracket (-4mm). Cut shelf 290mm ('Shelf B').

IMPORTANT FOR WALK-INS: WHERE WE SAY "FITS UP TO 2400mm" – THIS CAN TAKE INTO ACCOUNT THE USE OF THE ADJACENT SHELF USING 400MM OF THAT WALL SPACE. IE – SHELF B WHEN JOINED ADJACENTLY WITH THE SHELF A, IT IS ABLE TO FIT A WALL THAT IS LONGER. PLAN WHERE YOU WILL INSTALL YOUR SHELVES BEFORE YOU CUT!



INSTALLATION INSTRUCTIONS

HANGING RAILS

wardrobes
online

WATCH HOW
TO INSTALL
YOUR
WARDROBE

SCAN QR >



1. For Top Height Rail: Measure 250mm from the back of the tower/wardrobe panel. And 50mm down from the top edge of the tower.
Screw the Rail End Bracket into the wall or tower: Use short screws to fix bracket to a tower.
Next install the opposing hanging rail using a measuring tape and level to ensure it is installed at the same height.
Use longer screws to fix bracket into a wall. Install wall plugs where required for a stronger install into gib.
For Mid Height Rail: Measure 250mm from the back of the tower/wardrobe panel.
From that mark, measure 1000mm down from the top-height-rail.



2. Measure the length between the installed rail brackets to get your rail length.
*Tip allow 2.5mm for each Rail End Bracket, so a 600mm wide gap between two walls you would cut the rail at 595mm.

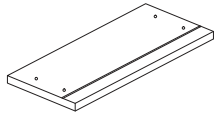


3. Mark on rail your measured length and cut the rail using a hacksaw.
Once cut, slot rail into rail brackets.

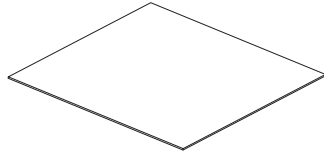
Note: because floors are sometimes not level we recommend you check heights and levels as you proceed through the installation process



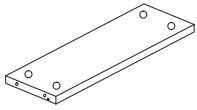
DRAWER INSTRUCTIONS



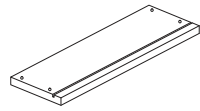
DRAWER FACING PANEL - 1 PC



DRAWER BOTTOM BOARD - 1 PC



DRAWER SIDE PANEL - 2 PCS



DRAWER BACKING PANEL - 1 PC

DRAWER FITTINGS IDENTIFICATION



Cam-locks

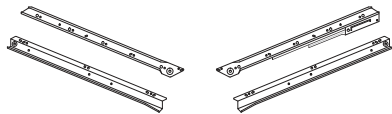


Cam-pins



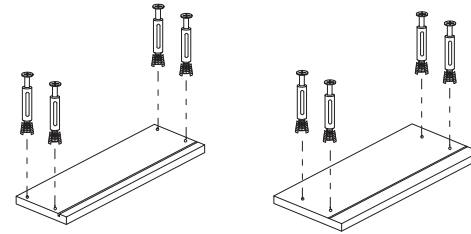
SCREW (M5*8MM)
Euro Screw for receiver runners

Receiver Runners

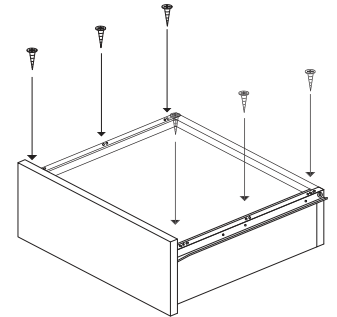
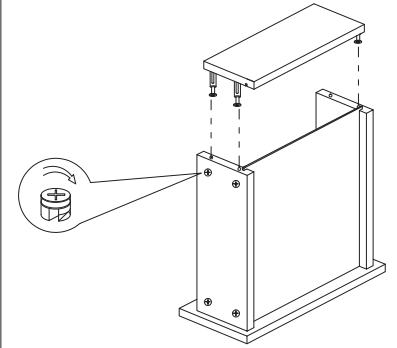
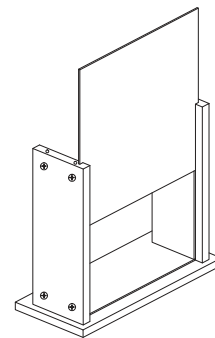
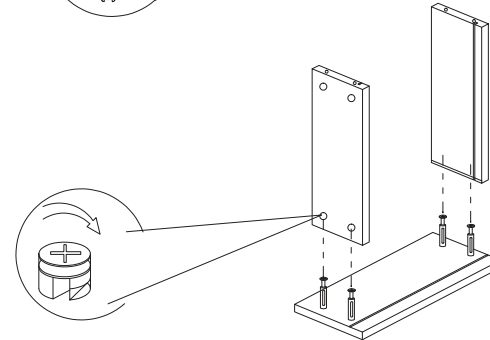
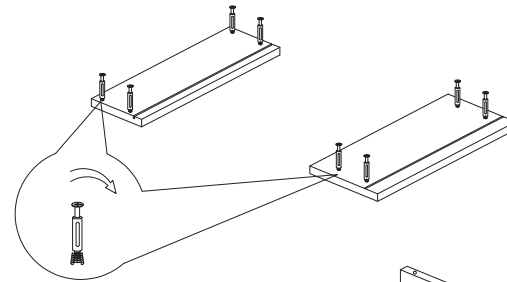


Drawer Runners

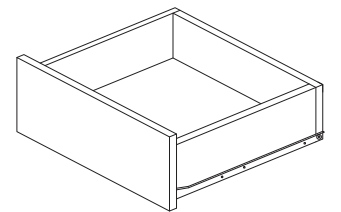
SCREW (M3.5*12MM)
for drawer runners



Tap cam-pins in place before tightening with screwdriver



Ensure wheels are facing the back of the drawer.
Fix drawer runners with screws to underside of drawer (do not screw from the side of the drawer)



Lower drawer into receiver runner at a downwards angle then glide the rest of the drawer in.
To engage the soft close feature, gently push the drawer fully inward.